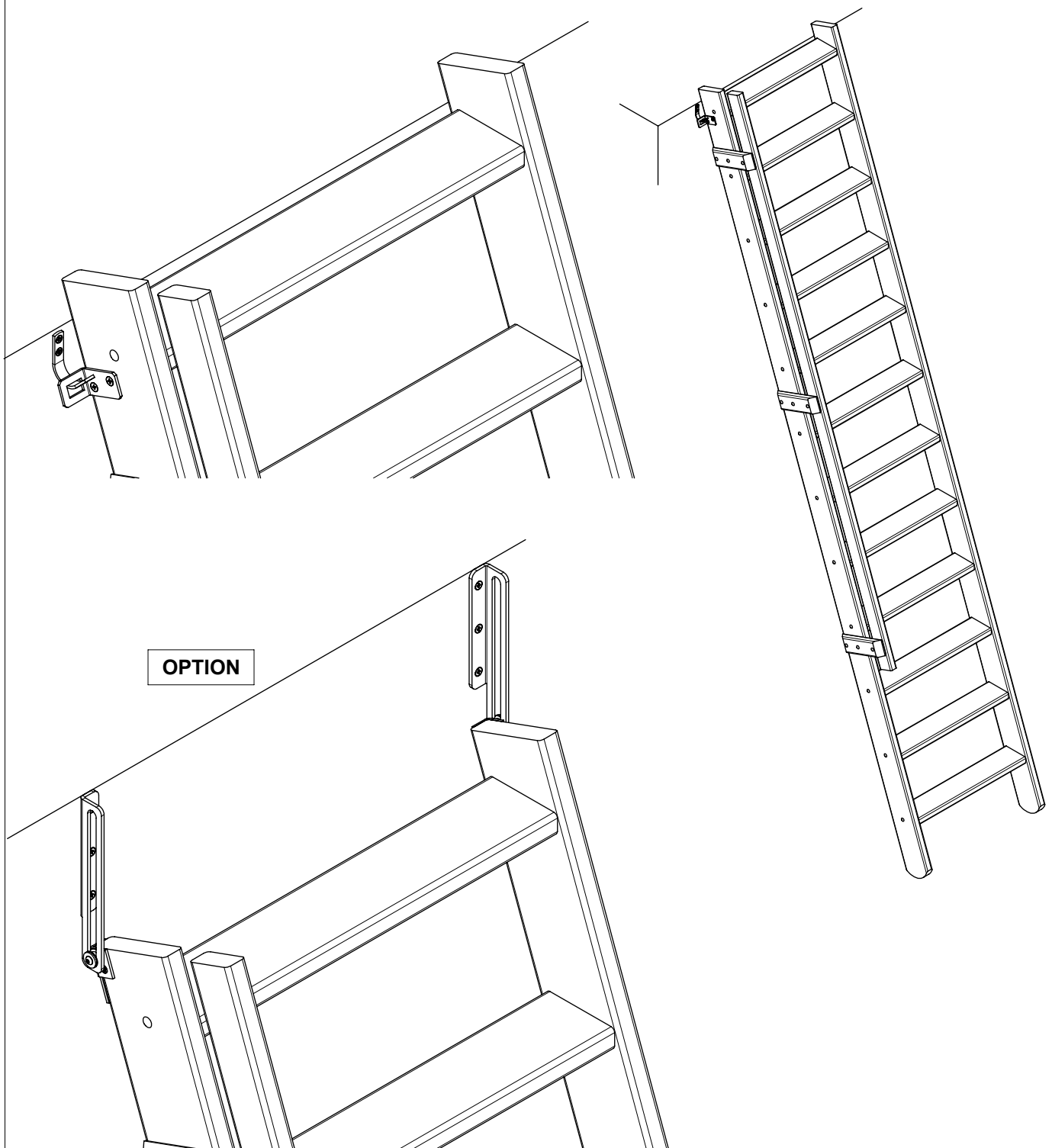
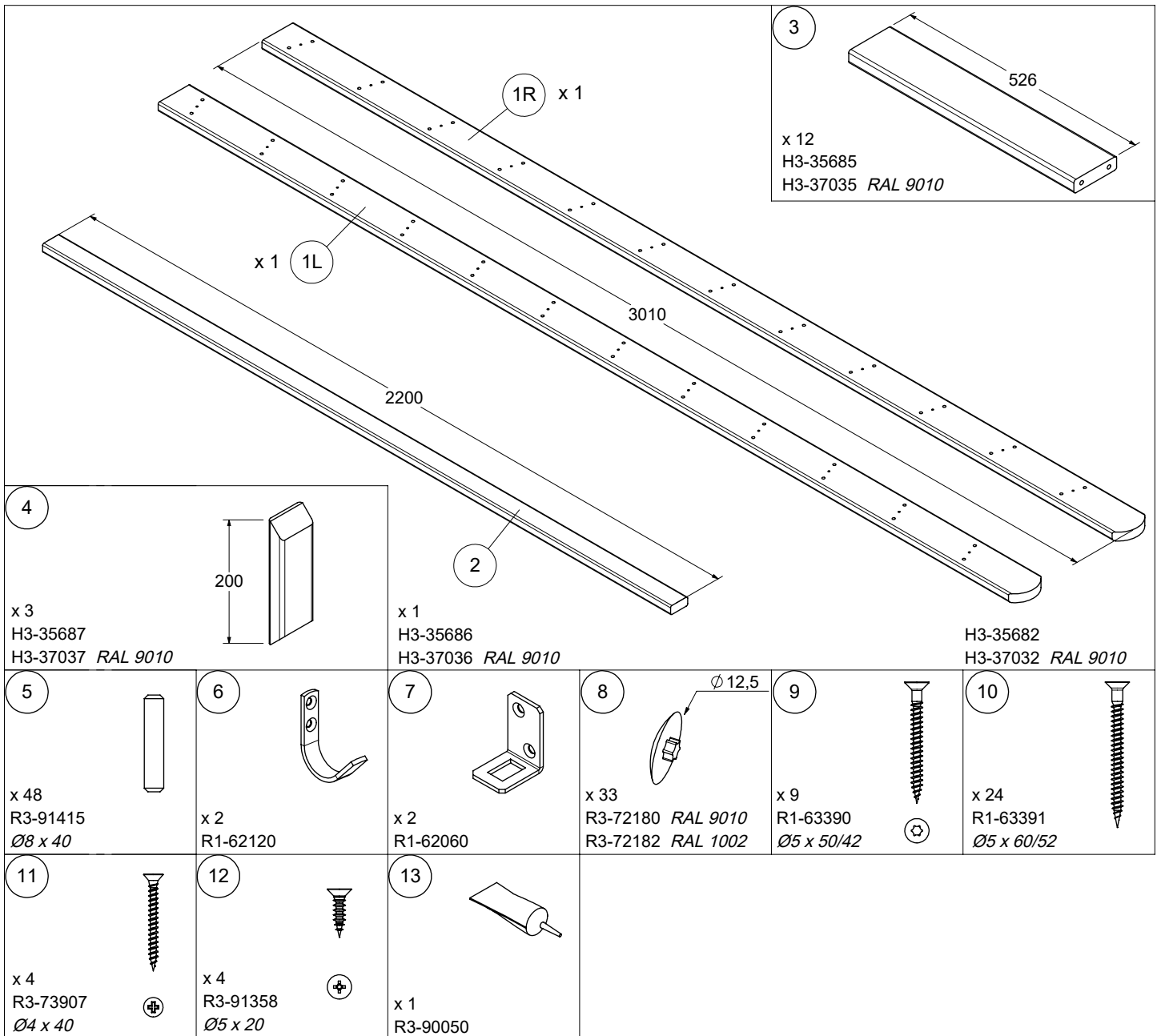


BERGEN

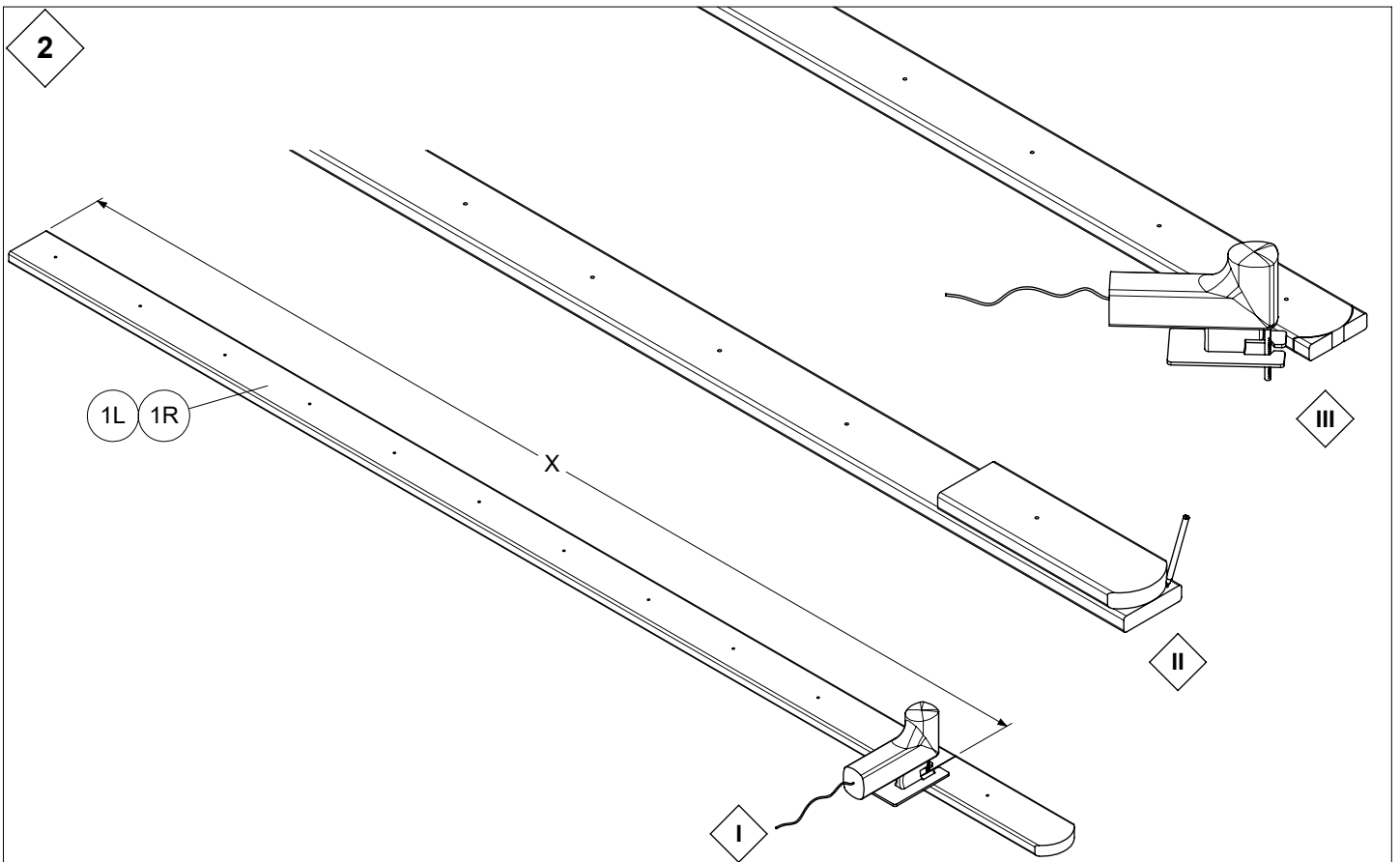
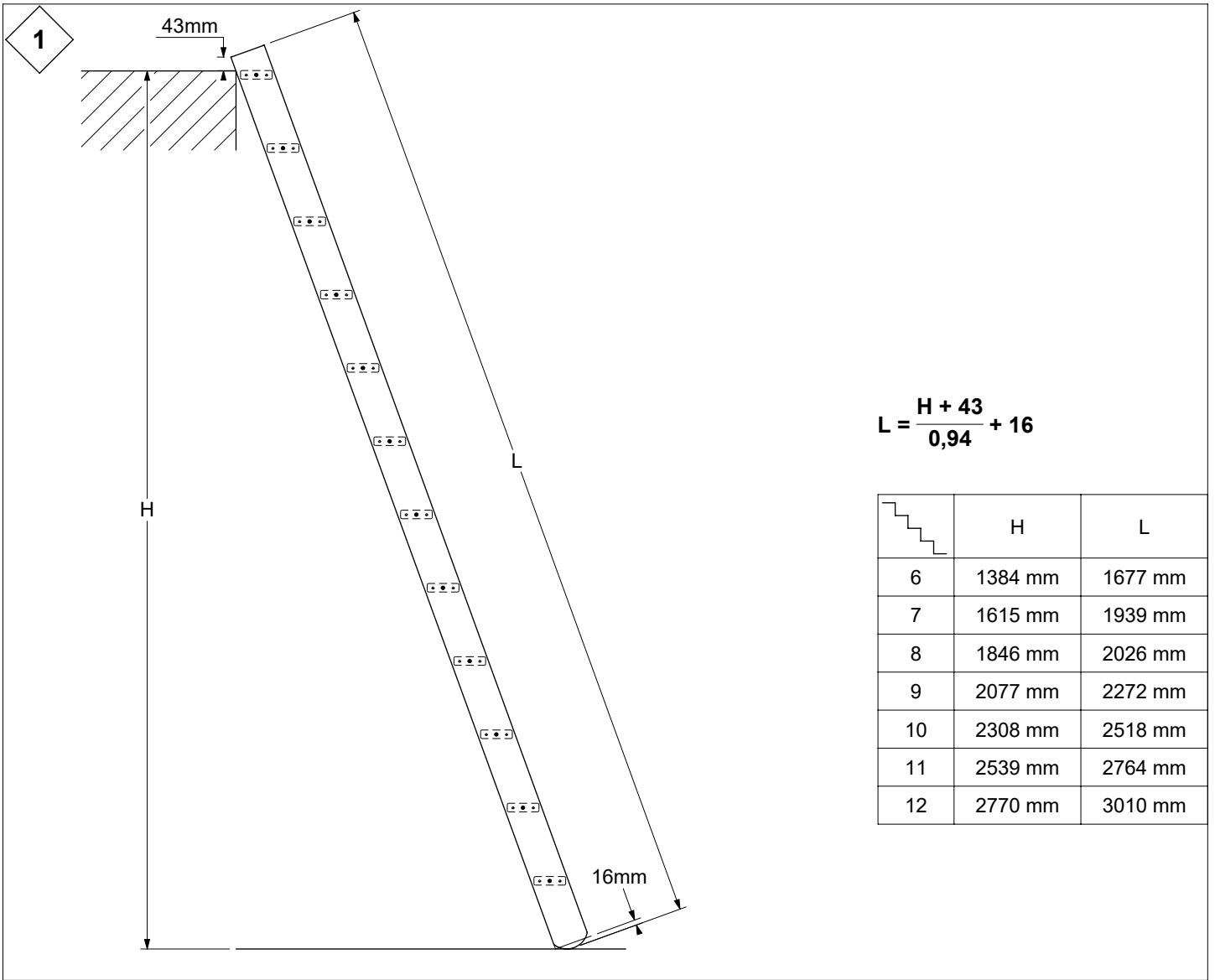
Mezzanine ladder

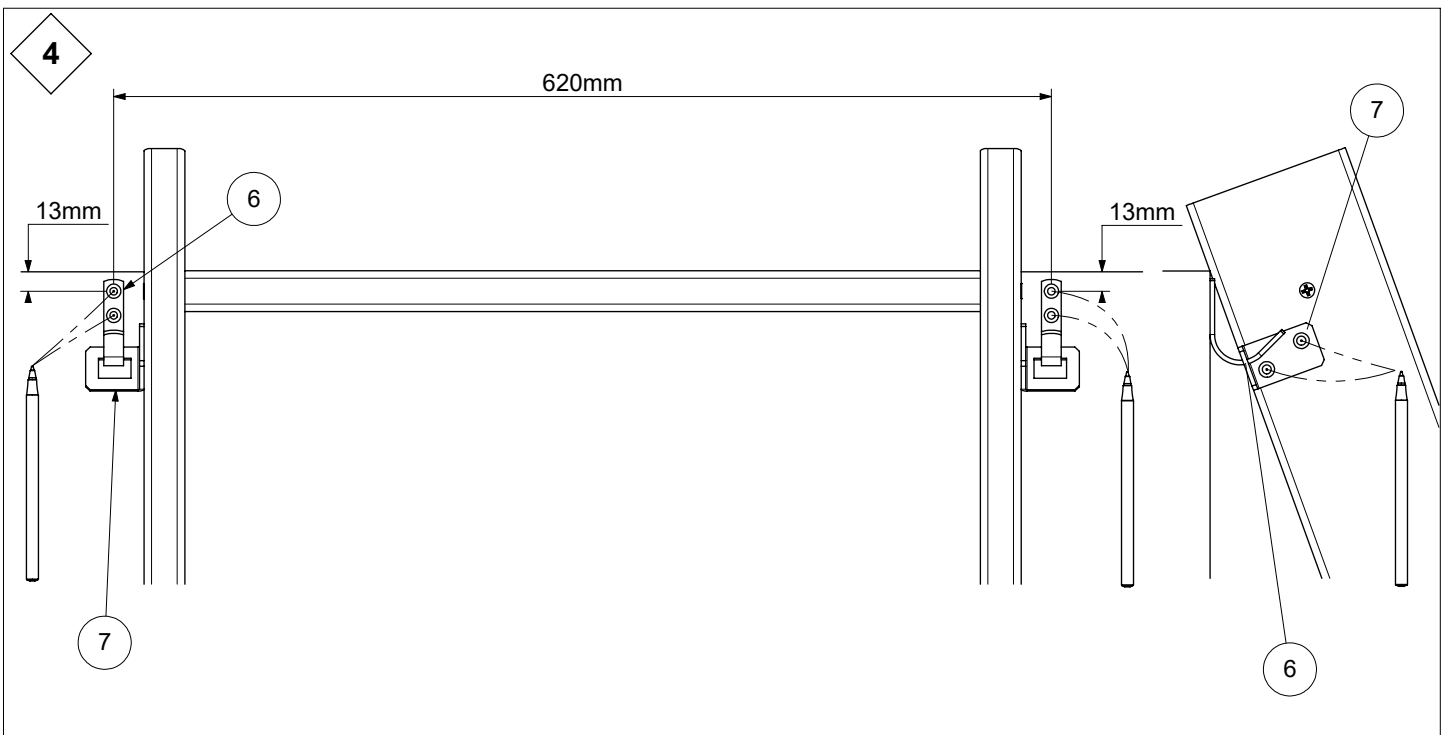
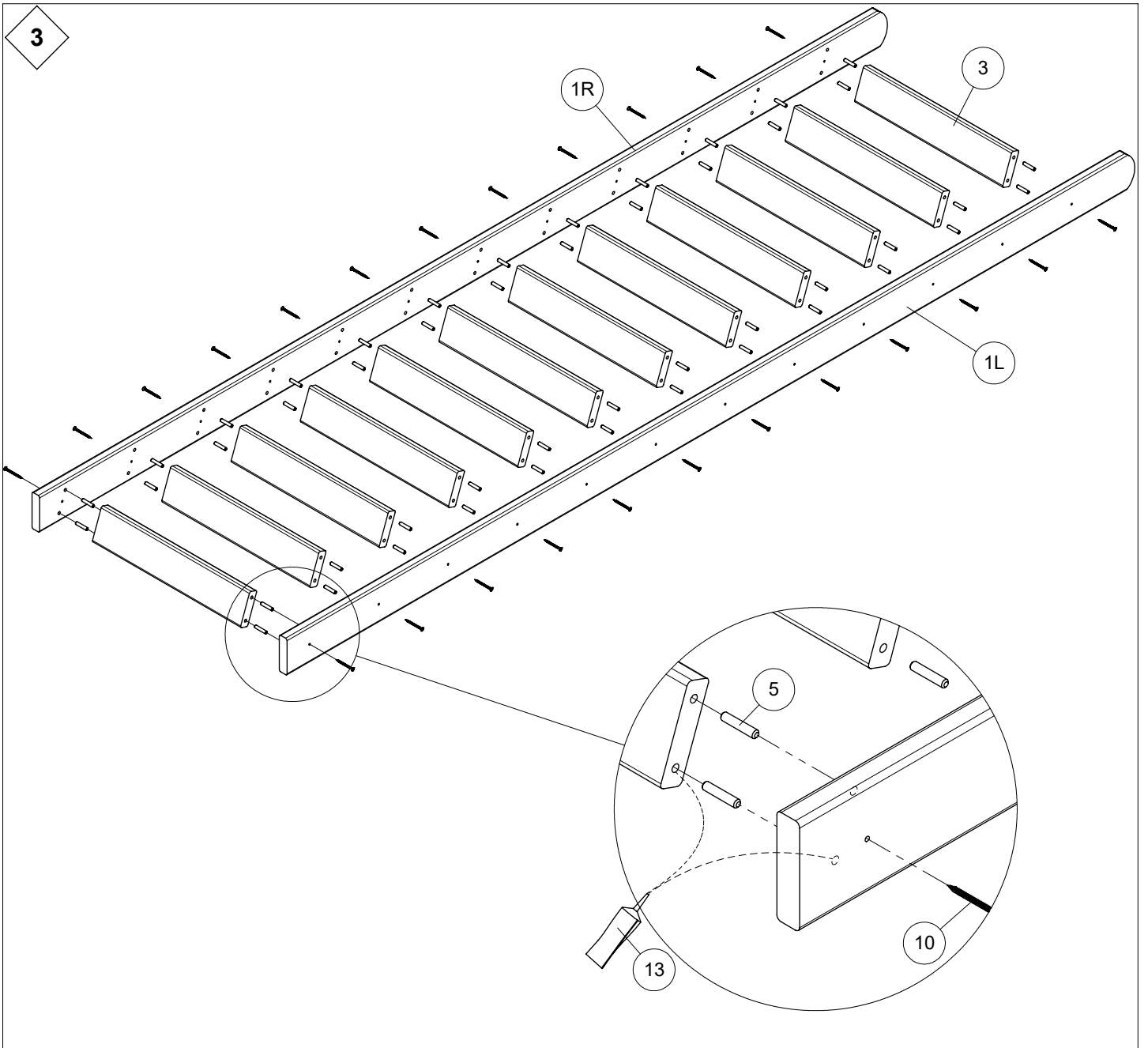
Assembly instruction

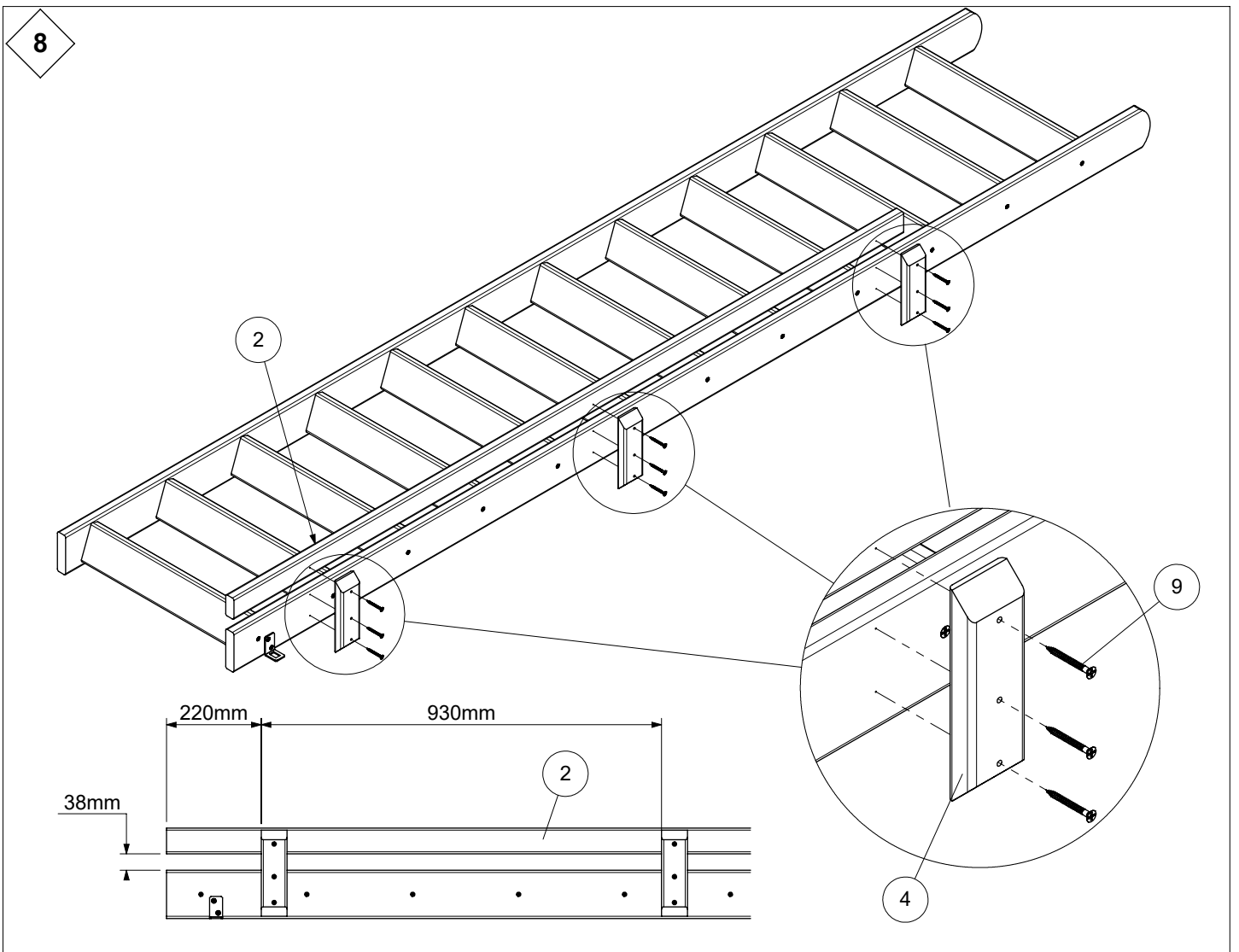
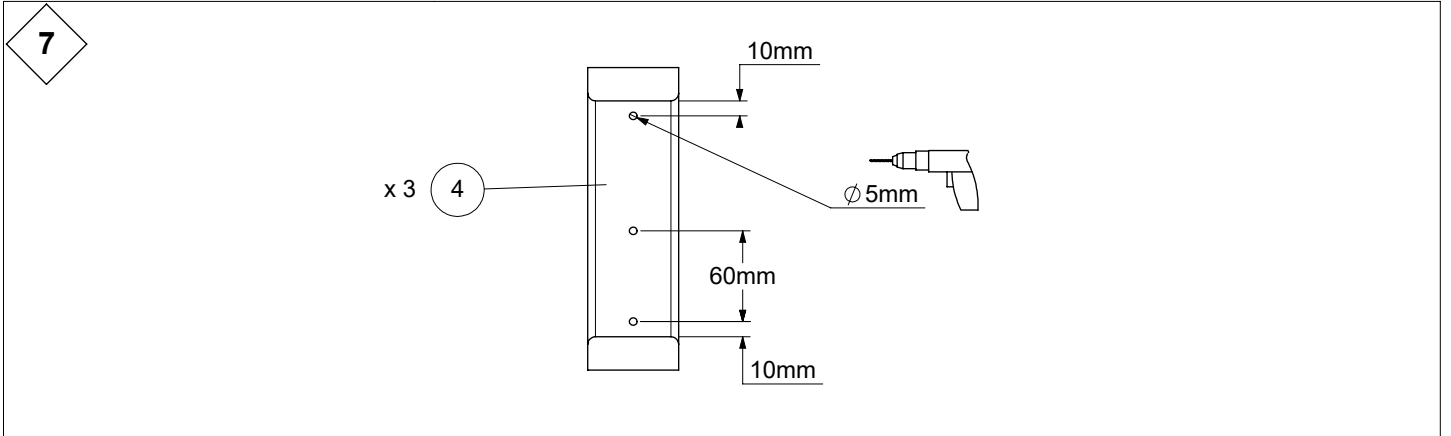
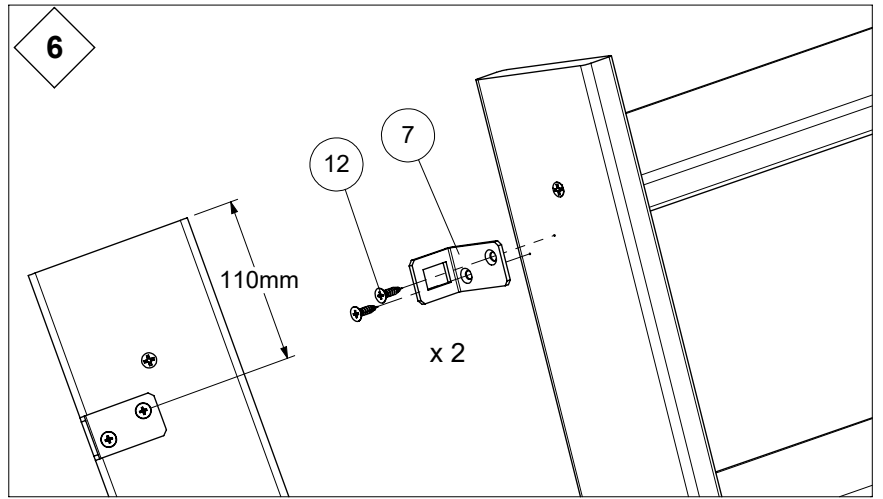
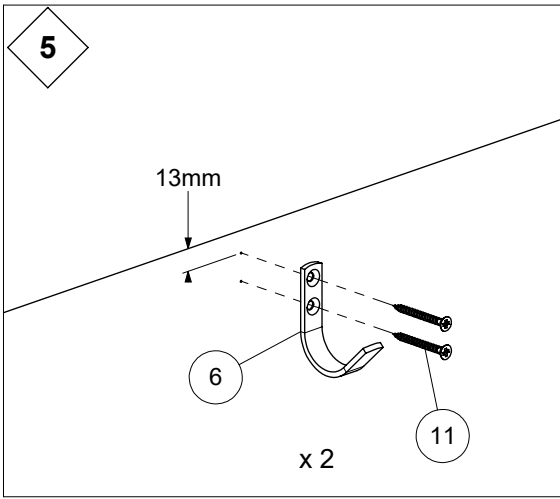




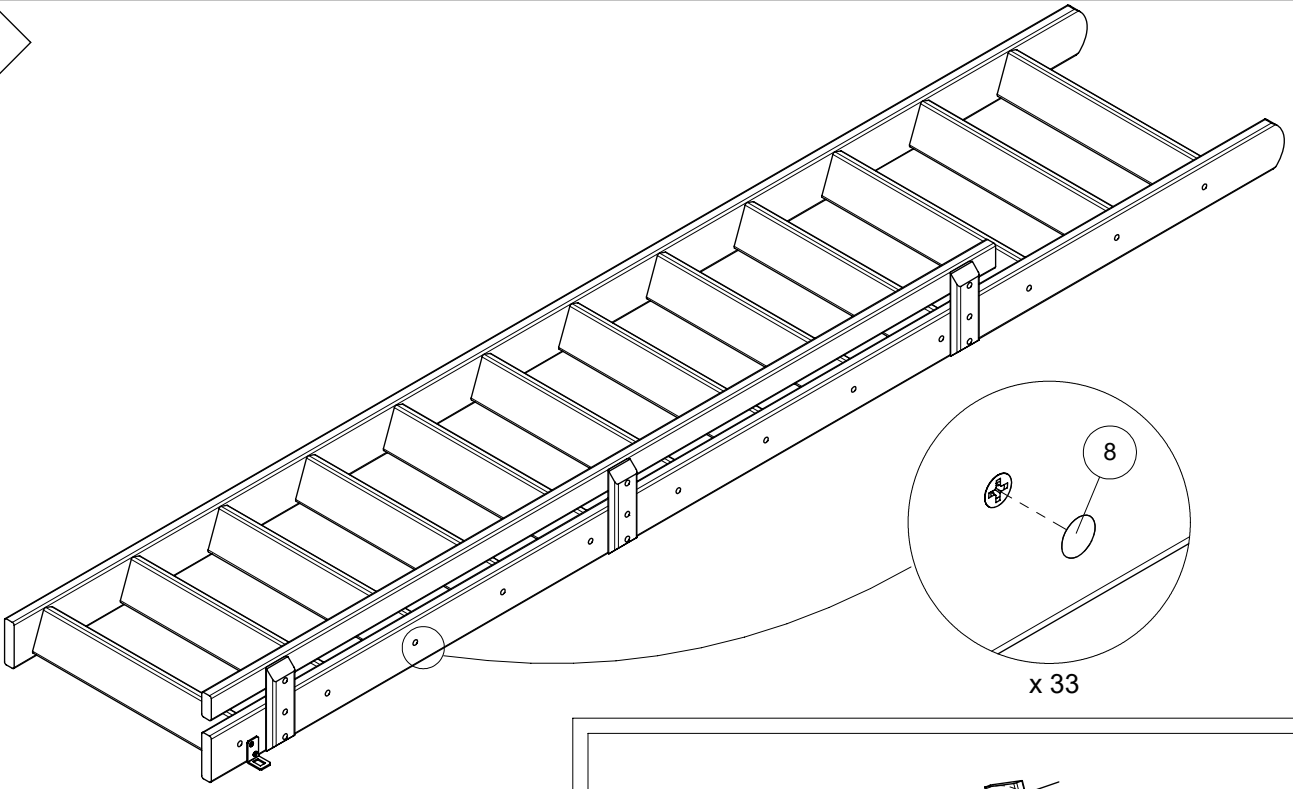
OPTION	1009000 RAL 9005	1009001 RAL 9016	1009002 BZP
21 x 1 K1-1009001 RAL 9005 K1-1009003 RAL 9016 K1-1009005 BZP	22 x 1 K1-1009000 RAL 9005 K1-1009002 RAL 9016 K1-1009004 BZP	23 x 1 K2-1009010 RAL 9005 K2-1009012 RAL 9016 K2-1009014 BZP	24 x 1 K2-1009011 RAL 9016 K2-1009013 RAL 9016 K2-1009015 BZP
25 x 2 K1-1009020	26 x 2 K1-1009021	30 x 2 K3-10360 RAL 9005 K3-10361 RAL 9016 K3-02270 FZB M5 x 12	35 x 6 K3-06005 Ø5 x 50
31 x 2 K3-10370 RAL 9005 K3-10371 RAL 9016 K3-04130 FZB Ø18/Ø5.5 x 2	32 x 2 K3-06066 Ø4 x 20 PZ2	33 x 4 K3-06038 Ø4 x 30 PZ2	34 x 6 K3-08002 Ø8 x 40



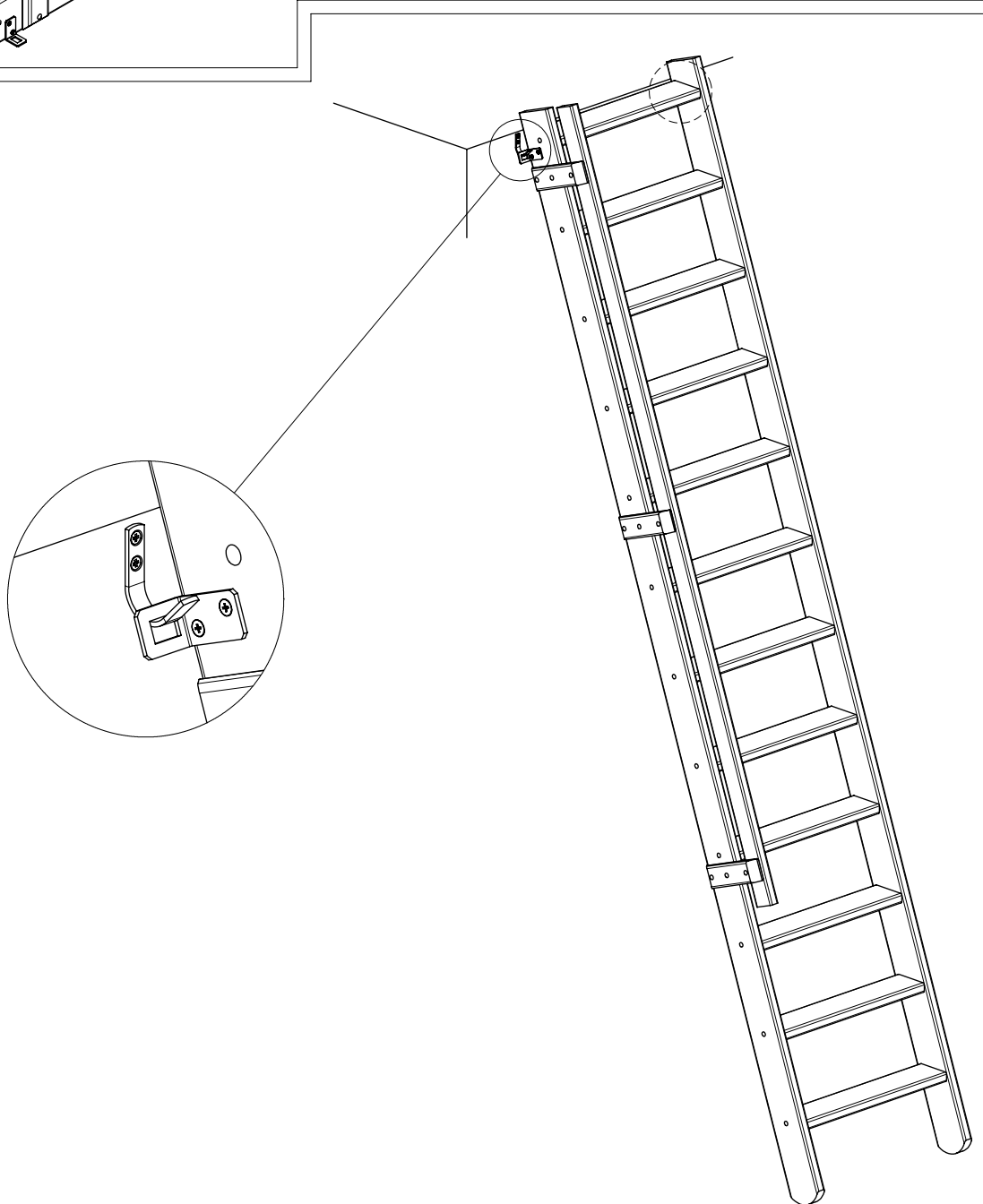




9

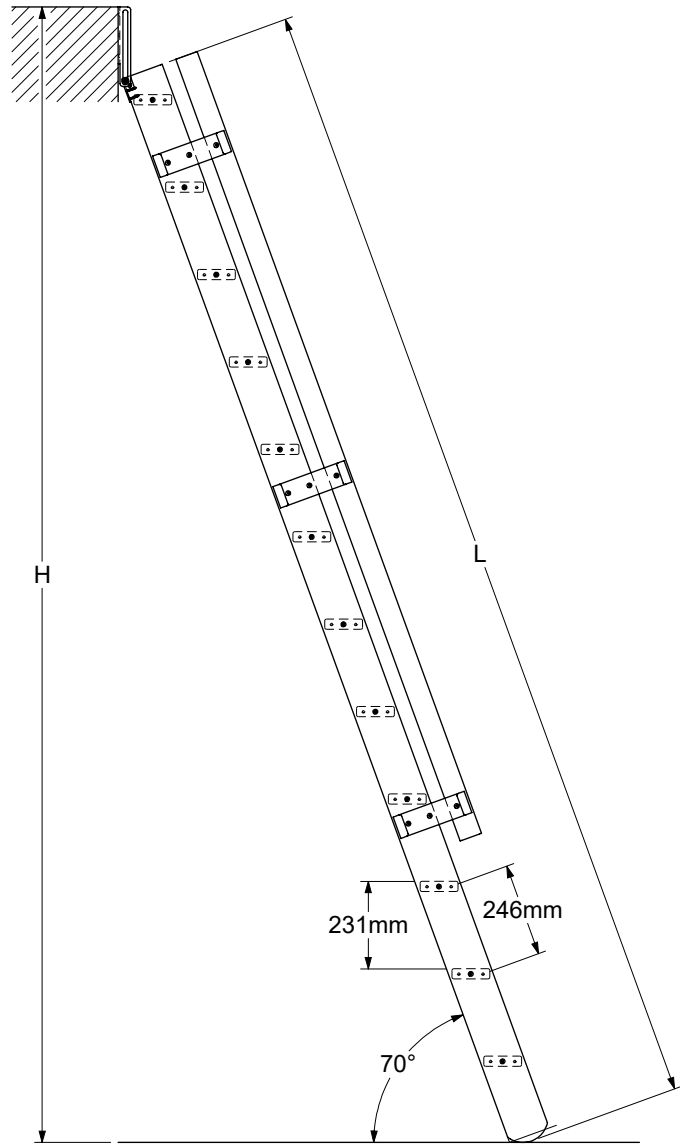


10



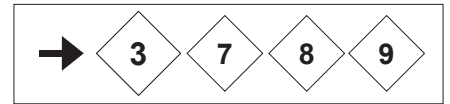
11

OPTION



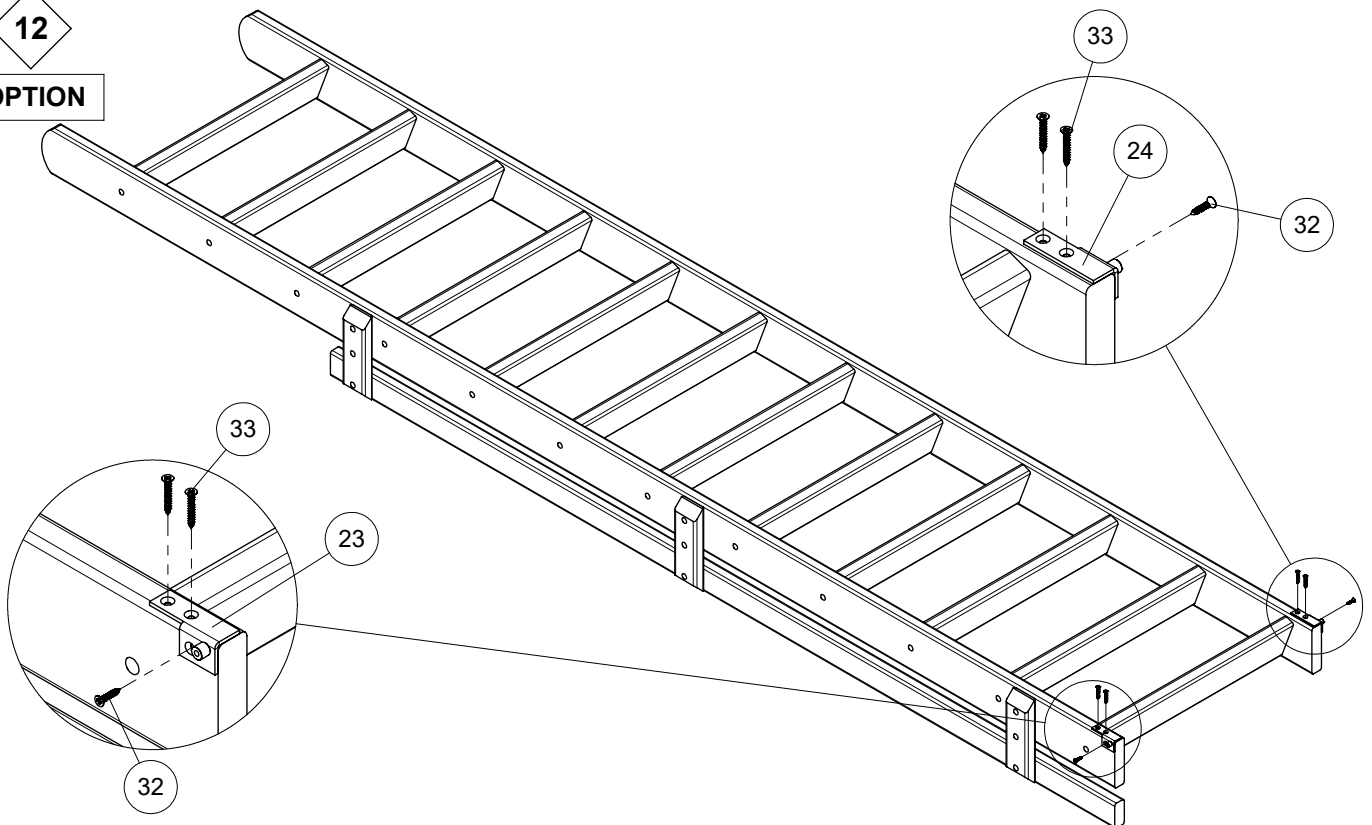
$$L = 1,064 \times H - 186$$

	L	H
	mm	mm
6	1534	1616
7	1780	1847
8	2026	2078
9	2272	2309
10	2518	2540
11	2764	2772
12	3010	3003



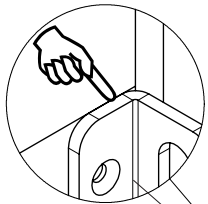
12

OPTION

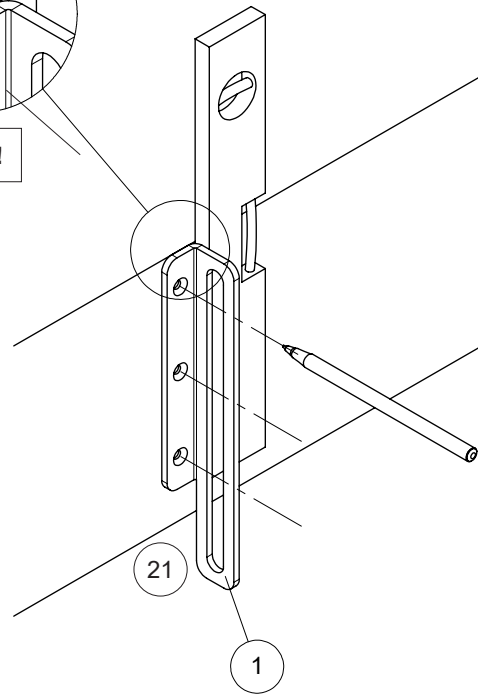


13

OPTION

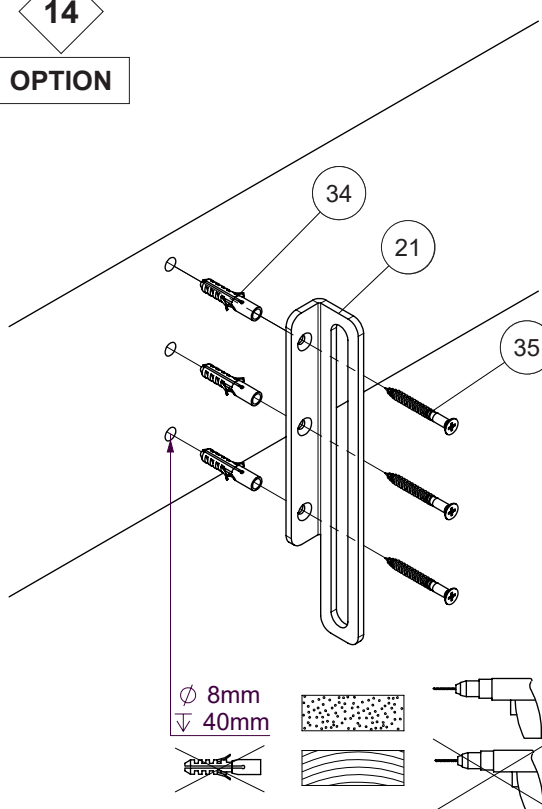


OBS!

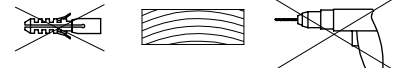


14

OPTION

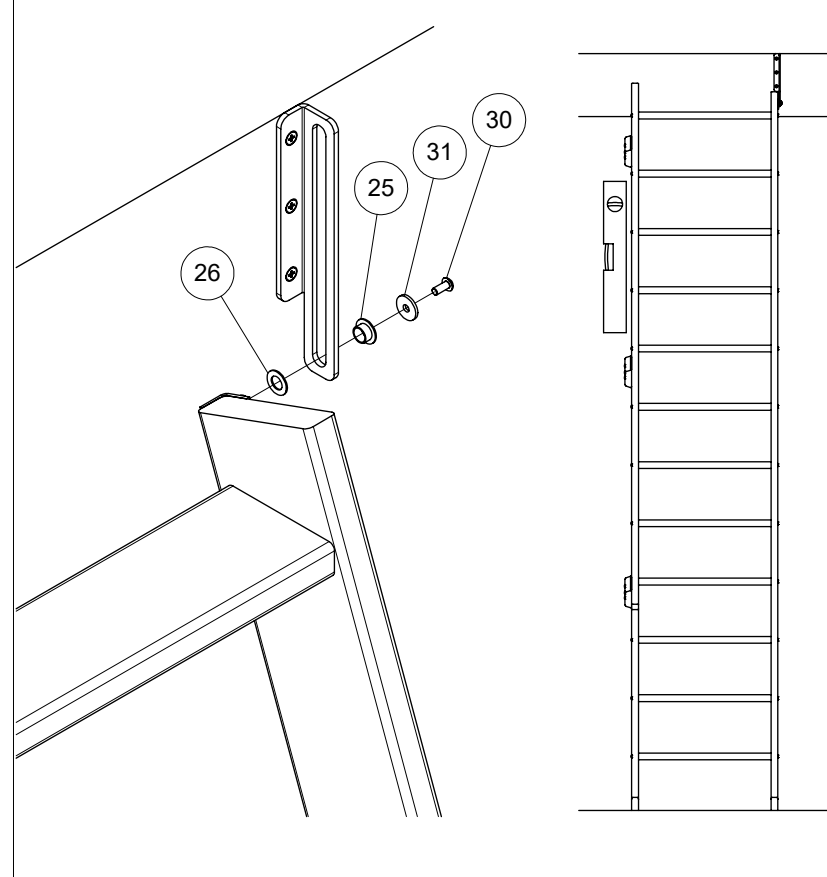


∅ 8mm
↓ 40mm



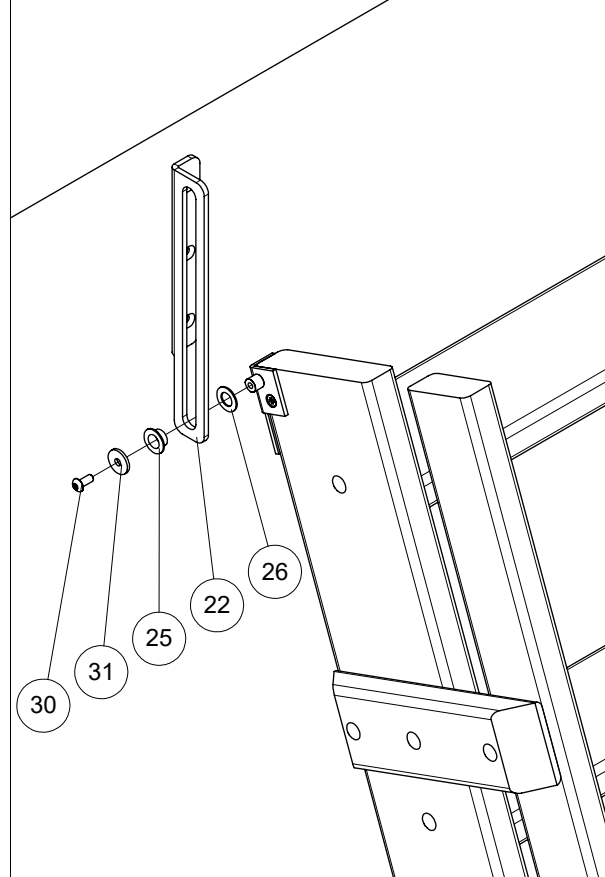
15

OPTION



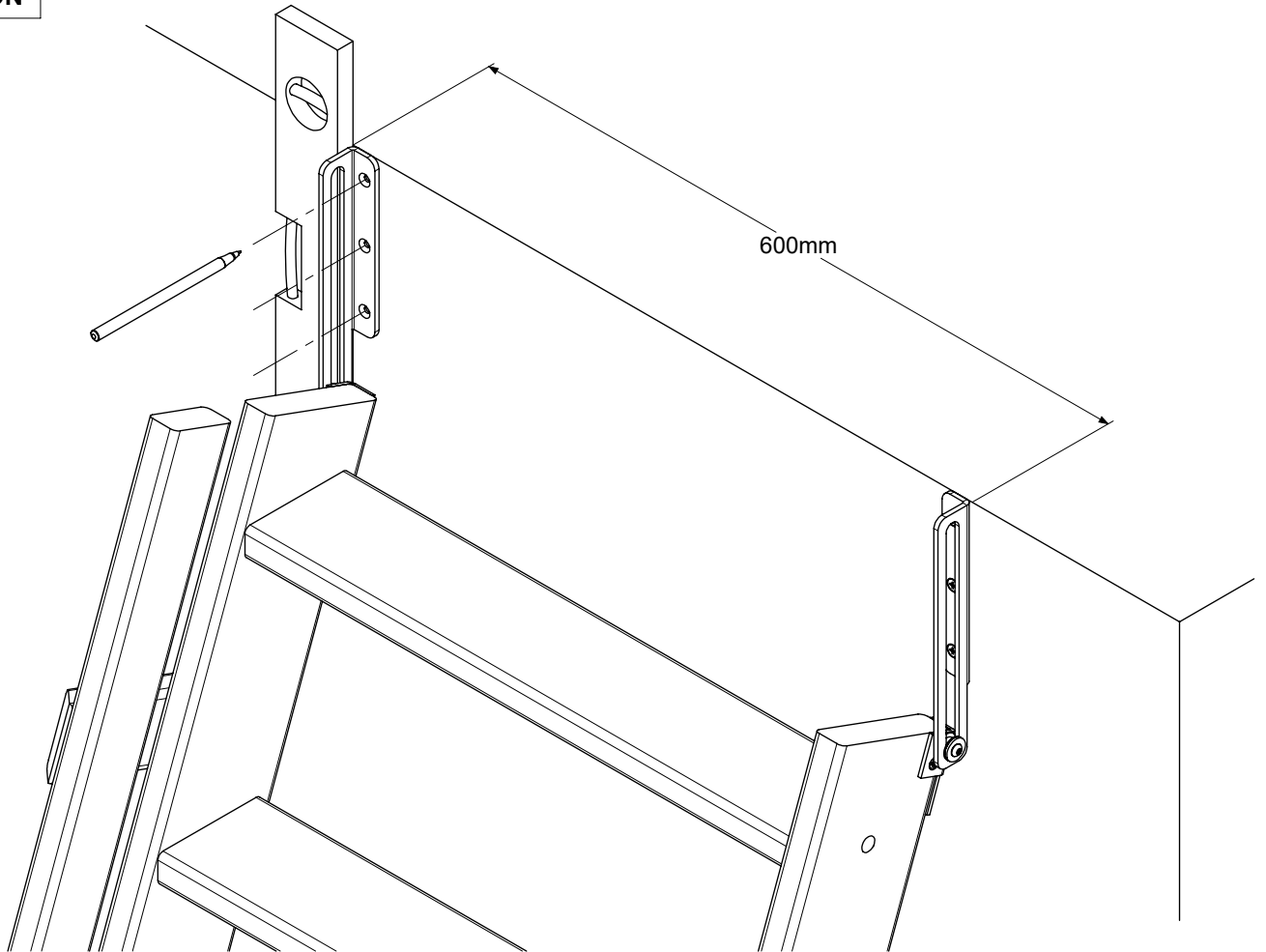
16

OPTION



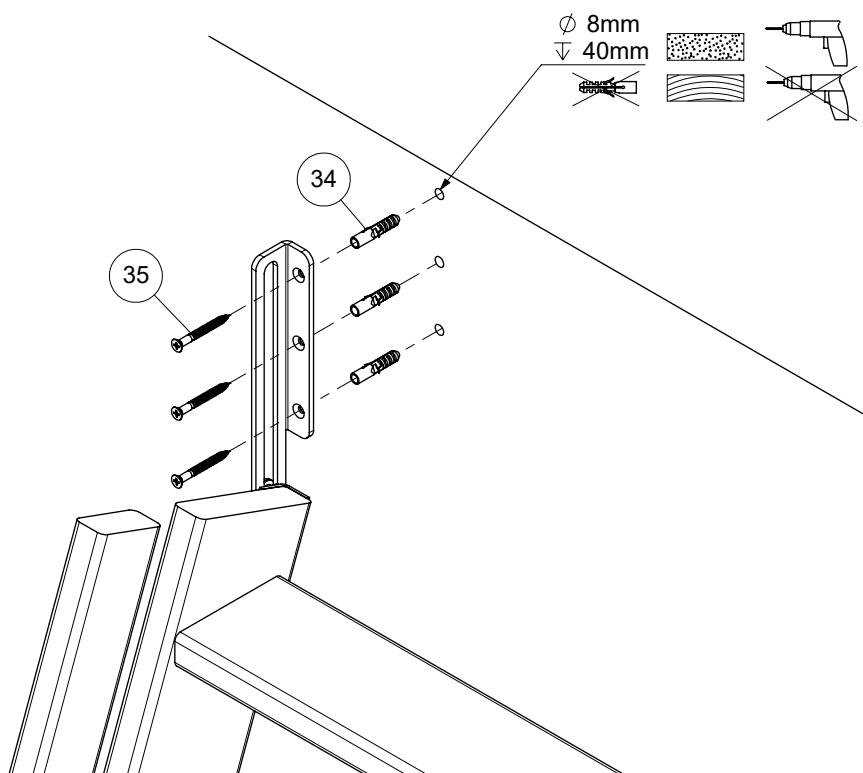
17

OPTION



18

OPTION



19

OPTION

